

CREO PARAMETRIC 4.0 *SNEAK PEEK* WHAT'S NEW IN 2D DETAILING

Raphael Nascimento
Product Manager

13 June, 2016



ptc

6

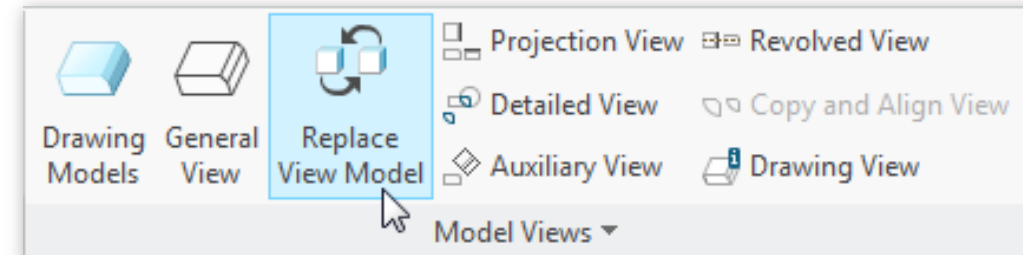
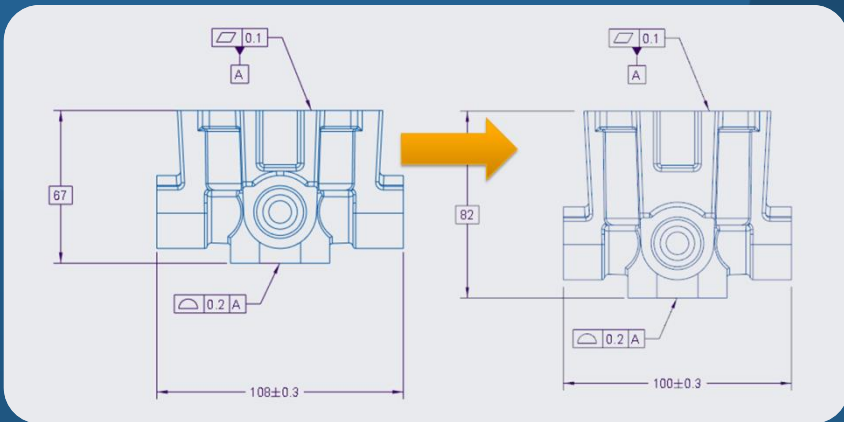
REPLACE THE MODEL OF A DRAWING VIEW

REPLACE THE MODEL OF A DRAWING VIEW WITH A RELATED MODEL

SELECT MATCHING VIEWS
 PRESERVE ANNOTATIONS
 PRESERVE VIEW SETTINGS
 RELATED MODEL TYPES

CREO 4.0 VIEW MODEL REPLACE

- Select all matching views
 - Same model & rep
 - Replace all selected views at one time
- Preserve annotations
 - Existing annotations rerouted to the new model
- Preserve view settings
 - View properties are retained with the new model
- Related model types:
 - Family Table
 - Simplified Rep (Part and Assembly)
 - Inheritance / Merge



REPLACE THE MODEL OF A DRAWING VIEW WITH A RELATED MODEL

SELECT MATCHING VIEWS

PRESERVE ANNOTATIONS

PRESERVE VIEW SETTINGS

RELATED MODEL TYPES

Benefits

- Save time by leveraging existing drawings to quickly create drawing of a derivative model

QUICKLY REPLACE THE MODEL IN ALL MATCHING VIEWS



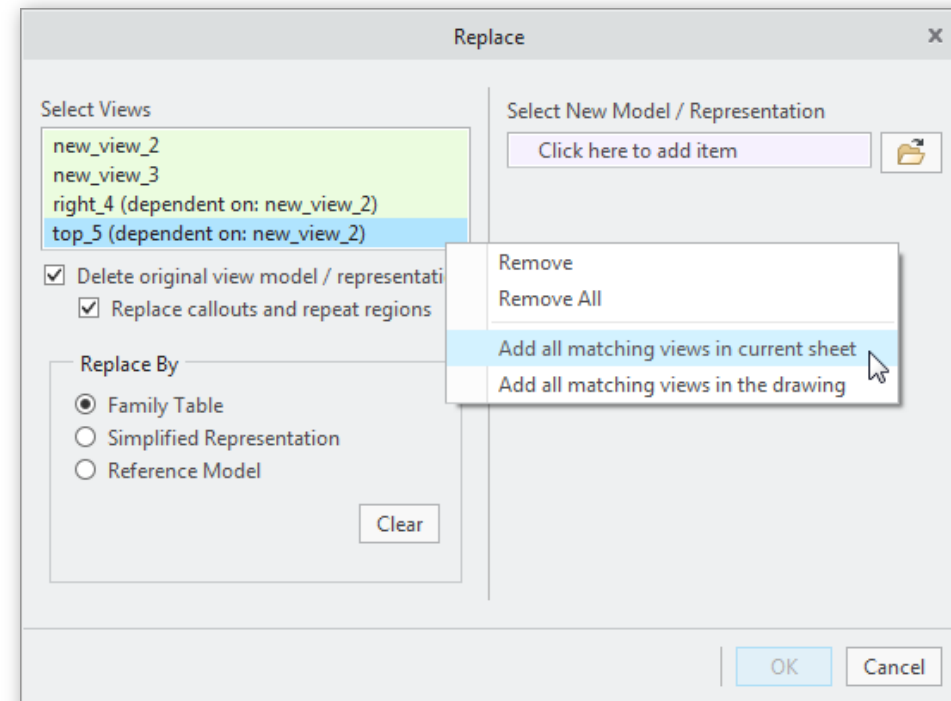
Automatic inclusion of dependent views

- All views that are dependent on selected view are automatically included
 - Projection, Auxiliary, Detailed, Revolved...

Option to select non-dependent views of the same model & rep

- All views on the current sheet
- All views in the entire drawing

Option to delete the original model if all related views are replaced



REPLACE THE MODEL OF A DRAWING VIEW WITH A RELATED MODEL

SELECT MATCHING VIEWS
PRESERVE ANNOTATIONS
PRESERVE VIEW SETTINGS
RELATED MODEL TYPES

Benefits

- Save time by leveraging existing drawings to quickly create drawing of a derivative model

EXISTING ANNOTATIONS WILL BE PRESERVED



Annotations attached to the model view

- Annotations created in the drawing
- Annotations shown from the model

Option to replace callouts and repeat regions

- If all related views in the drawing are replaced

TOLERANCES UNLESS OTHERWISE SPECIFIED XXX ± 0.001 .XX ± 0.01 .X ± 0.1 ANG ± 0.5 GEOMETRIC DIMENSIONING & TOLERANCING PER ANSI Y14.5M-1992 DO NOT SCALE DRAWING	DESCRIPTION: HOUSING 50mm		COPY		APPR
	PART NAME: 100-10170027-101		DES		
	DRAWN: RCN DATE: Jun-02-16 CHECKED: DATE:		ENG		
	THIRD ANGLE PROJECTION		MFG		
PTC Inc. Needham, MA		CM			
		COMPUTER GENERATED			
		DRAWING: 100-10170027	SIZE C		
		SCALE 1.000	SHEET: 1 of 1		

TOLERANCES UNLESS OTHERWISE SPECIFIED XXX ± 0.001 .XX ± 0.01 .X ± 0.1 ANG ± 0.5 GEOMETRIC DIMENSIONING & TOLERANCING PER ANSI Y14.5M-1992 DO NOT SCALE DRAWING	DESCRIPTION: HOUSING 35mm		COPY		APPR
	PART NAME: 100-10170027-301		DES		
	DRAWN: RCN DATE: Jun-02-16 CHECKED: DATE:		ENG		
	THIRD ANGLE PROJECTION		MFG		
PTC Inc. Needham, MA		CM			
		COMPUTER GENERATED			
		DRAWING: 100-10170027	SIZE C		
		SCALE 1.000	SHEET: 1 of 1		

REPLACE THE MODEL OF A DRAWING VIEW WITH A RELATED MODEL

SELECT MATCHING VIEWS
PRESERVE ANNOTATIONS
PRESERVE VIEW SETTINGS
RELATED MODEL TYPES

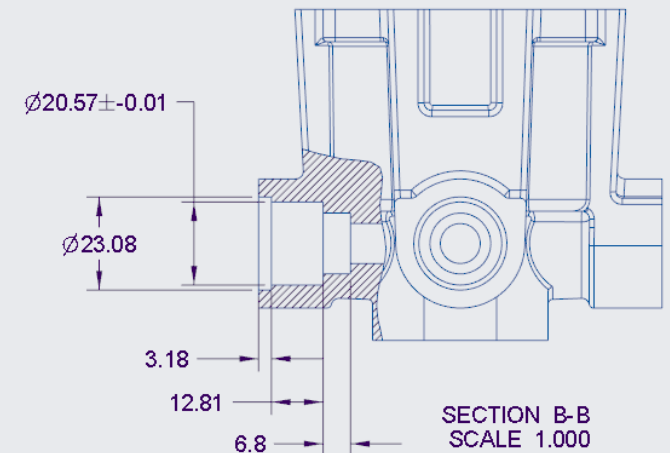
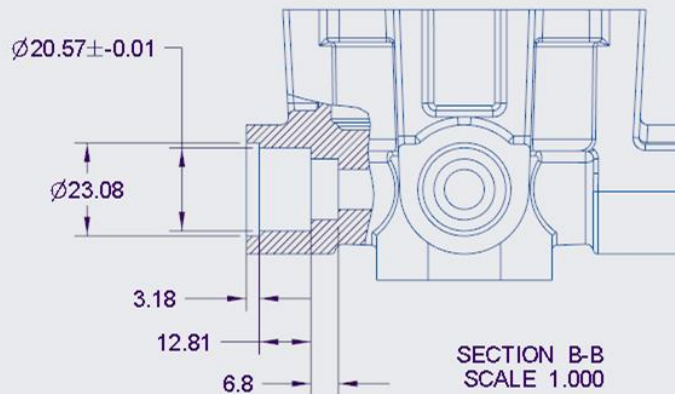
Benefits

- Save time by leveraging existing drawings to quickly create drawing of a derivative model

VIEW SETTINGS OF REPLACED VIEWS ARE PRESERVED

View Properties preserved

- Scale
- Orientation
- Display options
- Visible area settings
- Etc...



REPLACE THE MODEL OF A DRAWING VIEW WITH A RELATED MODEL

SELECT MATCHING VIEWS
PRESERVE ANNOTATIONS
PRESERVE VIEW SETTINGS
RELATED MODEL TYPES

Benefits

- Save time by leveraging existing drawings to quickly create drawing of a derivative model

TYPES OF RELATED MODELS ELIGIBLE TO BE REPLACED



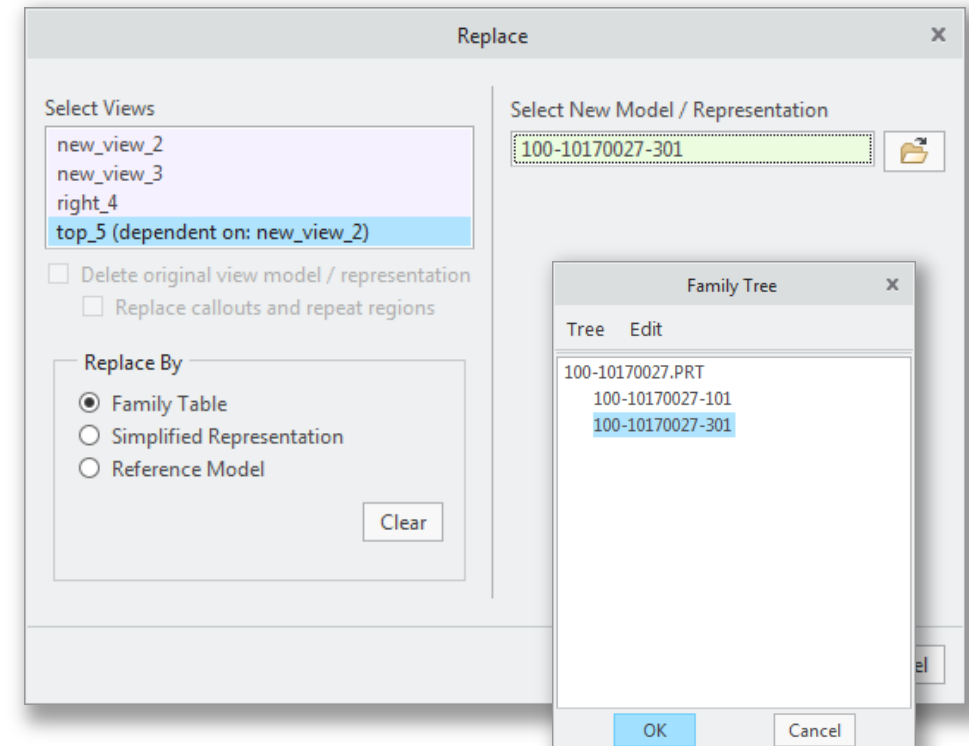
Family table instances

Simplified representation

- Assembly-level simplified reps
- Part-level simplified reps

Reference models

- Merge models
- Inheritance models





ptc